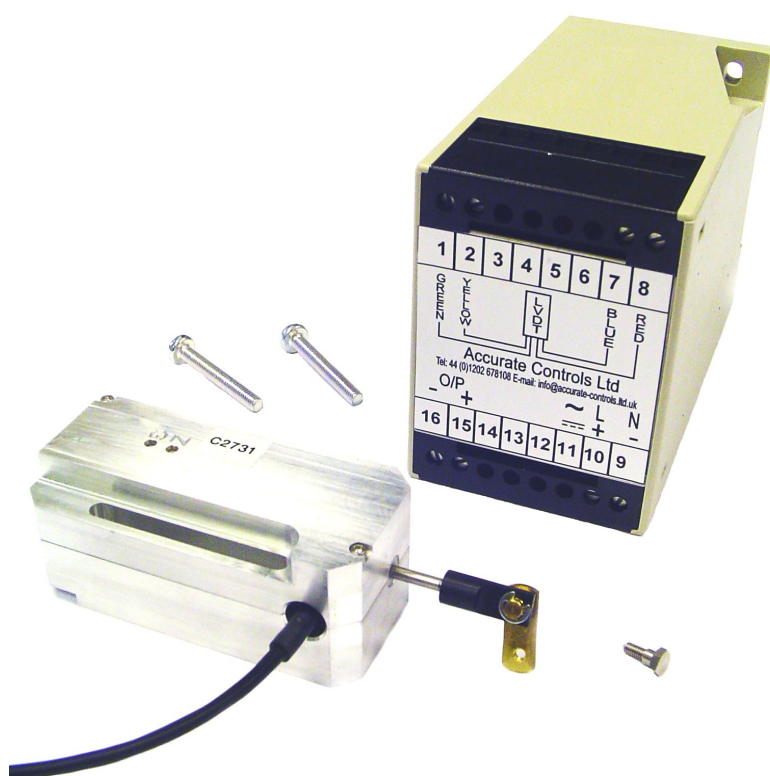


ANALOGUE OUTPUT FOR C102, C105 & A275 CONTROLLERS

LV10

Instrument Specification

Analogue output transducer for installation on C102, C105, A275 temperature controllers.



- Specifically designed for Accurate Controls C102, C105, & A275 temperature controllers.
- Can be fitted to some of the temperature controllers made by the ARIC company.
- Industry standard outputs in the range of 0-20mA available.
- A mV output in range of 0-40mV is also available by fitting an additional module.
- No repositioning of existing instrument components required
- User selectable output range
- User adjustable span and zero
- No alteration to instrument case required
- Universal DIN or surface mounted universal power supply.
- On-site fitting, calibration and maintenance service available.
- If retrofitted by Accurate Controls engineers, warranty is extended to 3 years.



Issued: Jan 2016

Accurate Controls Ltd.

25 Cowley Road, Nuffield Industrial Estate,
Poole, Dorset, BH17 0UJ, United Kingdom.
Tel: +44 (0)1202 678108
Fax: +44 (0)1202 670161
e-mail: info@accurate-controls.ltd.uk
web: www.accurate-controls.ltd.uk



© ACL 2010

Power Supply :

Universal input power supply (standard)
 85-265V AC 47-63Hz or 70 - 360 V DC
 Lower DC input voltage range available by special request

Power pack mounting :

35mm top hat DIN rail (1.0 mm thick max)
 Surface mount with two off M4 fixing screws

Transducer :

Transducer mechanically isolated from the instrument and does not affect the operating mechanism.

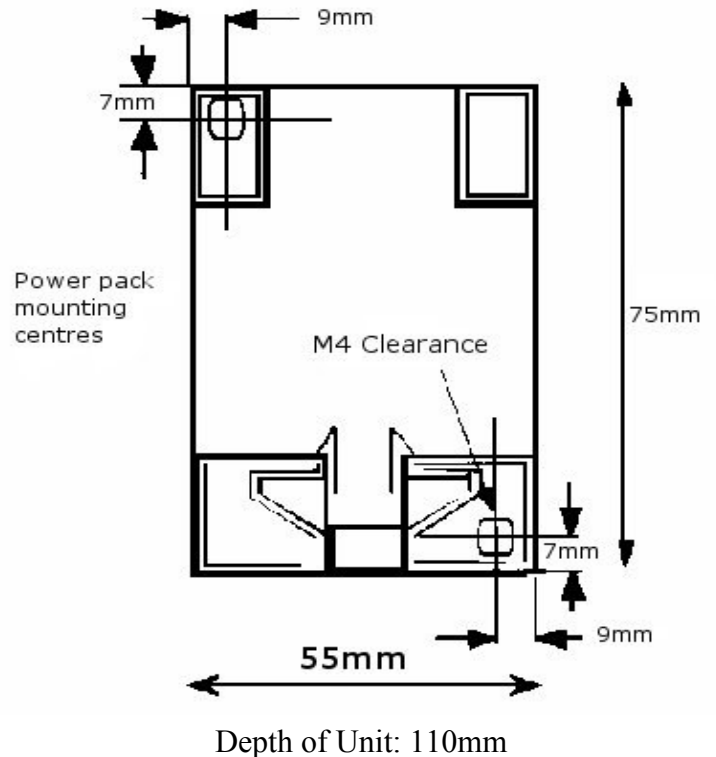
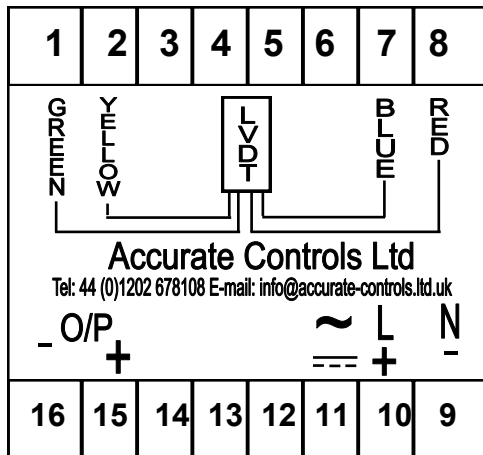
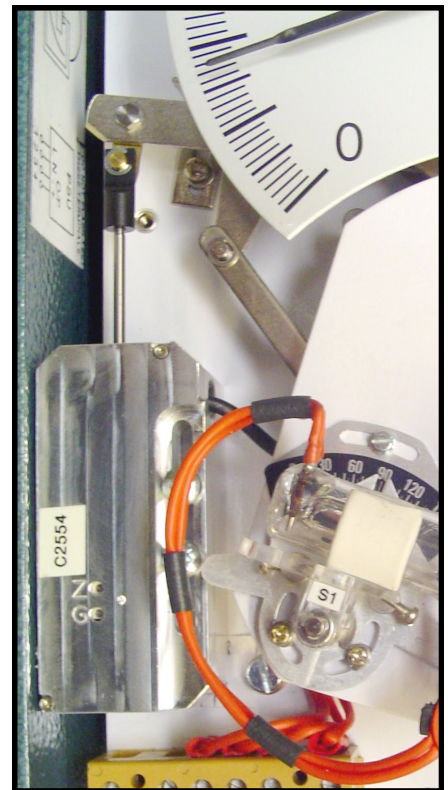
Output Ranges :

Adjustable for : 0-10mA or 2-10mA
 0-20mA or 4-20mA
 Loop resistance : 300 ohms

Options :

Installation, commissioning and maintenance service available by Accurate Controls engineers. (please request installation quote)

An additional module to provide an alternative mV output in the range of 0 - 40mV is also available.



Please contact Accurate Controls for technical assistance